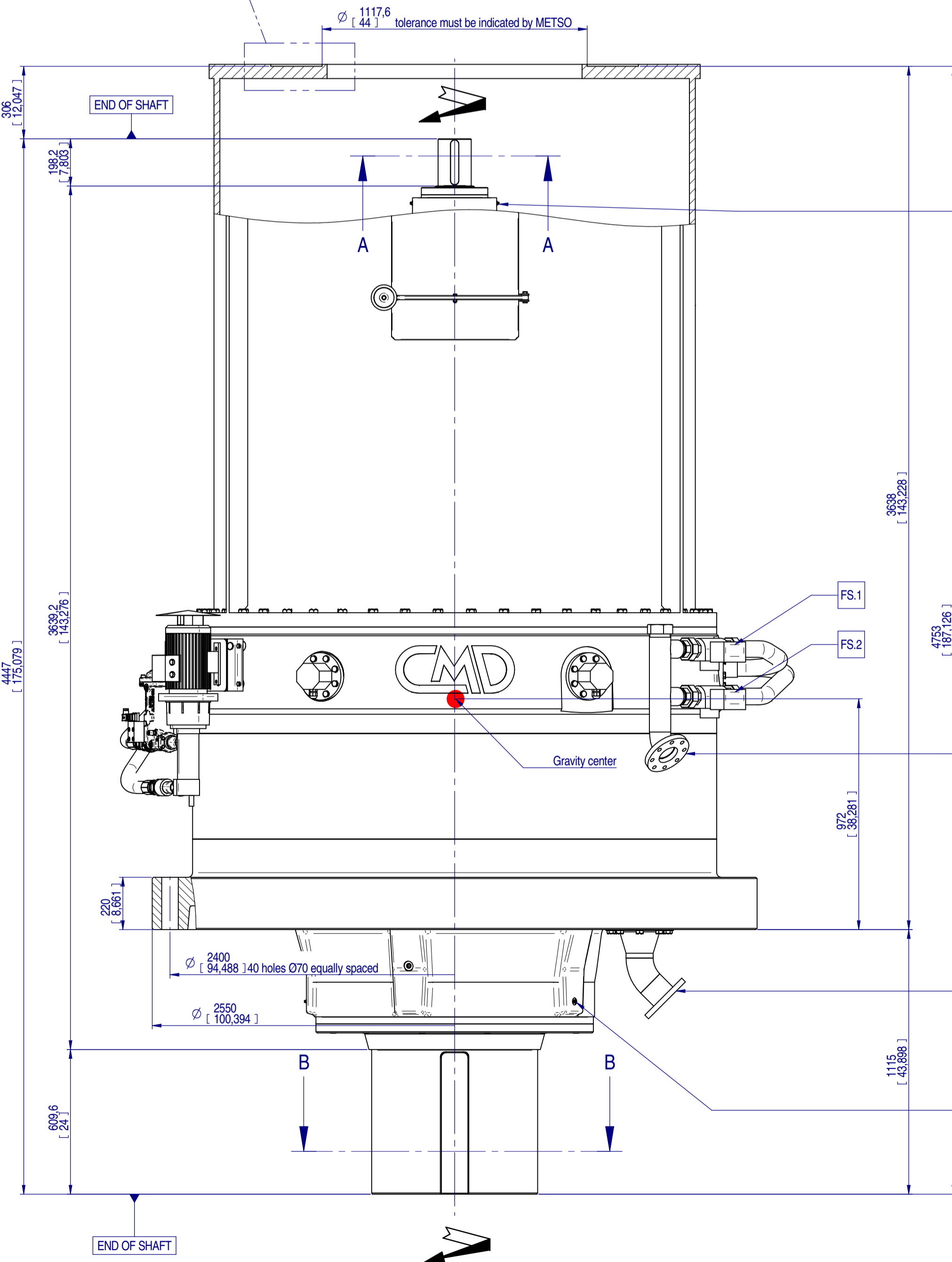
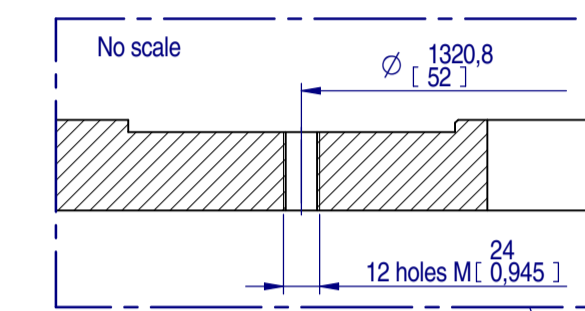


TAG	SENSORS
RH	REDUCER HEATER
TS.1	TEMPERATURE SWITCH
T.1	TEMPERATURE SENSOR ON UPPER BEARING
T.2	TEMPERATURE SENSOR ON THRUST PAD BEARING
T.3	AMBIANT TEMPERATURE SENSOR (SEE DRAWING 596350)
T.4	OIL TANK TEMPERATURE SENSOR
V.1	AXIAL VIBRATION SENSOR
V.2	RADIAL VIBRATION SENSOR
FS.1	HS FLOW SWITCH
FS.2	MS FLOW SWITCH

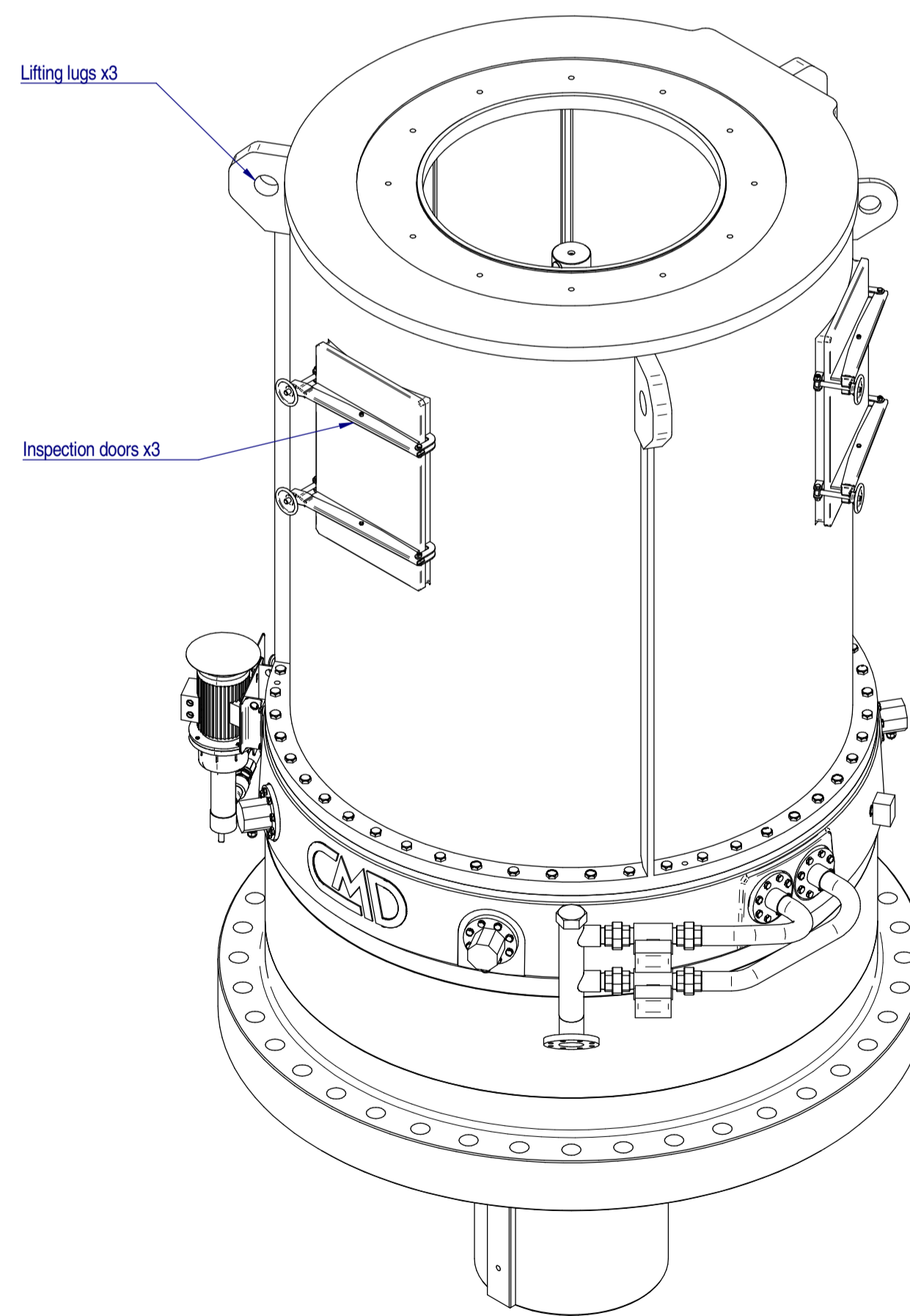


Greaser GT9200083  
Grease KLUBER PETAMO GHY 133N  
Quantity 80 g

Oil inlet  
Flange DN80-PN16

Oil outlet  
Flange DN100-PN16

Greaser GT9200083  
Grease KLUBER PETAMO GHY 133N  
Quantity 2.7 Kg



**GEAR UNIT TYPE: 3PL 600 HELICAL-PLANETARY REDUCER**  
**APPLICATION: DRIVE REDUCER FOR VERTIMILL®**  
**RATIO: NOMINAL 92:1**  
**INPUT: 3000 HP**  
**INPUT SPEED: 1200 RPM**  
**OUTPUT SPEED: 13 RPM**  
**STARTING TORQUE: 260%**  
**EFFECTIVE STEADY RUNNING OUTPUT TORQUE: 1,212,000 FT.-LBS. (1,643,254 Nm)**  
**SERVICE FACTOR: >2.25 PER ISO 6336 & DIN 3990**  
**NOISE LEVEL: 85 dBA MAX. FLANGE MOUNTED, SOLID SHAFT VERTICAL DOWN**  
**MOTOR FLANGE w/INTEGRATED COUPLING GUARD**  
**-TECO MOTOR SUPPLIED BY METSO (REF DRAWING 3A040K571)**

**OPERATING CONDITIONS**  
**ELECTRIC MOTOR INSTALLED POWER: 3000HP (2237 KW)**  
**ELECTRIC MOTOR SPEED: 1180 rpm (60Hz)**  
**ELECTRIC MOTOR NOMINAL TORQUE: 18.1 KNm (60Hz)**  
**ELECTRIC MOTOR MAXIMUM TORQUE: 47.1 KNm (60Hz)**  
**OVER TORQUE FACTOR = 2.6**  
**GEARBOX NOMINAL OUTPUT SPEED: 13 rpm +/- 0.2 rpm**  
**GEARBOX NOMINAL OUTPUT TORQUE: 1643 KNm**  
**QUALITY OIL: VG 320**  
**QUANTITY OIL: 2130L approx**

**NOTE: REDUCER TO BE PAINTED DARK GREY RAL 7011**

**SITE CONDITIONS / EQUIPMENT OPERATING CONDITIONS:**  
**LOCATION: DOMINICAN REPUBLIC**  
**ELEVATION: 328 FT [100m] ASL**  
**OPERATION MODE: CONTINUOUS SERVICE MODE: PERIODICAL**  
**TEMPERATURE: AMBIENT +15°C [59°F] TO +40°C [104°F]**  
**CONTROL VOLTAGE: 220V**

METSO JOB/SERIAL NO. C.2434

IND	DATE	MODIFICATIONS	REVISIONS	DESSINÉ PAR DRAWN BY	VÉRIFIÉ PAR CHECKED BY	APPROUVÉ PAR APPROVED BY
F	16/10/2013	Modification suite remarque client - Modification after customer remarks				
E	23/07/2013	Modification suite remarque client - Modification after customer remarks		CANDELLIER	LOISEAU	DENIVET
D	31/07/2012	Modification suite remarque client - Modification after customer remarks		DELPIERRE	CANDELLIER	CRUBLE
C	26/06/2012	Ajout données complémentaires - Adding information		DOYEN	BARRE	
B	18/06/2012	Modification suite remarque client - Modification after customer remarks		DOYEN	BARRE	
A	16/05/2012	Emission originale - First issue		DOYEN	LE GUENNEC	



**COMPAGNIE ENGENAGES ET REDUCTEURS MESSIAN-DURAND**  
 539, avenue du Cateau - 59400 CAMBRAI - France  
 Tel: 33 (0)3.27.73.53.11 - www.cmdgears.com - Télécopie: 33 (0)3.27.78.36.99

**METSO MINERALS**  
 3PL600 - VTM 3000HP

COMMANDE N° ORDER N°

**GENERAL DRAWING**

N° PLAN 595067  
 DRAWING NR F

Repière Item	Quantité Quantity	Désignation Designation	Matériau Material	Masse brute kg Gross weight	Masse nette kg Net weight	Volume m³ Volume	Code article Part number
		GENERAL DRAWING					595067

UNITE MESSIAN ECHELLE SCALE : FORMAT SIZE A1 ETAT OFFICIEL EDITION DATE 21/10/2013

IL EST FORMELLEMENT INTERDIT DE FAIRE EVOLUER LES PLANS EN DEHORS DE LA CAO